

Eclipsis Series Controls
for use with
HUNT *Simplicity*[®] Incandescent Lighting
120V and 277V



<u>120V</u>	<u>277V</u>
PS-600	PS-627
PS-600-3W	PS-627-3W

Hunt Control Systems Inc.
200 Rome Court
Fort Collins CO 80524

Tel: (970) 484-9048
Fax: (970) 493-4125
huntdimming.com

Features:

- Continuous, flicker-free dimming control.
- Operates incandescent lighting.
- Specification-grade, preset design.
- Standard designer-style faceplate, included. (Screwless faceplate, optional.)
- Available in Ivory, White (standard colors), Brown, Black, or Gray (custom colors).
- Limited one-year warranty.

Specifications:

- Easy-to-operate, smooth-sliding linear control and switch.
- Preset slide control - strap mount.
- RFI filter.
- Available in single-pole or 3-way
- Fits in a standard 2" deep single gang switchbox.
- Maximum loads for both the PS-600 and PS-627: 600 watts
- UL Listed.

Dimensions:

Front piece dimensions: 2 3/4" X 4 1/2".
Back box dimensions: 1 5/8" X 2 5/8" X 1 3/8".

Dimming.

It's all we do.
Since 1960.

Note: If ganging multiple controls together, derating of 10% per side is necessary. All 3-way controls require a standard 3-way toggle switch to complete the circuit.

**Installation and Wiring Instructions for
HUNT *Simplicity*[®] Eclipsis Series Incandescent Controls
Single Pole and 3-Way
120 Volt, 60 Hz****Load:**

PS-600 will control a maximum load of 600 watts.

PS-600-3W will control a maximum load of 600 watts in a 3-Way configuration.

Caution:

To reduce the risk of overheating and possible damage to other equipment, do not install to control a receptacle, a motor-operated appliance, a fluorescent fixture, or a transformer-supplied appliance.

Avertissement:

Pour réduire le risque de surchauffes et les dommages possibles à l'autre équipement, ne pas installer pour contrôler une prise ou un appareil moteur-fonctionné.

Read Carefully Before Installing Dimmers:

1. To avoid fire, personal injury, and/or damage to dimmer, turn power *OFF* at circuit breaker and test that power is *OFF* before wiring.
2. Observe maximum number of transformers per dimmer, not to exceed a total of 500 volt/amps (400 watts).
3. When installing a 3-way dimmer, use only one dimmer and one standard 3-way switch per circuit. Never attempt to use two dimmers in the same circuit.

Note: The PS-600-120V dimmer has a max. control wattage of 600W, and max. input current of 5.0 amps in single-gang application. If units are ganged together, derating is necessary. Double-ganged units have max. input current of 4.5 amps (540W); triple-ganged have a max. input current of 4.0 amps (480W).

Hunt Control Systems, Inc.

200 Rome Court
Fort Collins, CO 80524
U. S. A.
Ph: (970) 484-9048
Fax: (970) 493-4125
www.hunt Dimming.com

**Installation and Wiring Instructions for
HUNT *Simplicity*[®] Eclipsis Series Incandescent Controls
Single Pole and 3-Way
277 Volt, 60 Hz****Load:**

PS-627 will control a maximum load of 600 watts.

PS-627-3W will control a maximum load of 600 watts in a 3-Way configuration.

Caution:

To reduce the risk of overheating and possible damage to other equipment, do not install to control a receptacle, a motor-operated appliance, a fluorescent fixture, or a transformer-supplied appliance.

Avertissement:

Pour réduire le risque de surchauffes et les dommages possibles à l'autre équipement, ne pas installer pour contrôler une prise ou un appareil moteur-fonctionné.

Read Carefully Before Installing Dimmers:

1. To avoid fire, personal injury, and/or damage to dimmer, turn power *OFF* at circuit breaker and test that power is *OFF* before wiring.
2. Observe maximum number of transformers per dimmer, not to exceed a total of 500 volt/amps (400 watts).
3. When installing a 3-way dimmer, use only one dimmer and one standard 3-way switch per circuit. Never attempt to use two dimmers in the same circuit.

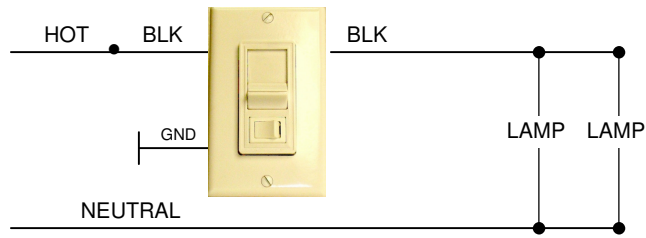
Note: The PS-627-277V dimmer has a max. control wattage of 600W, and max. input current of 2.16 amps in single-gang application. If units are ganged together, derating is necessary. Double-ganged units have max. input current of 1.9 amps (540W); triple-ganged have a max. input current of 1.7 amps (480W).

Hunt Control Systems, Inc.

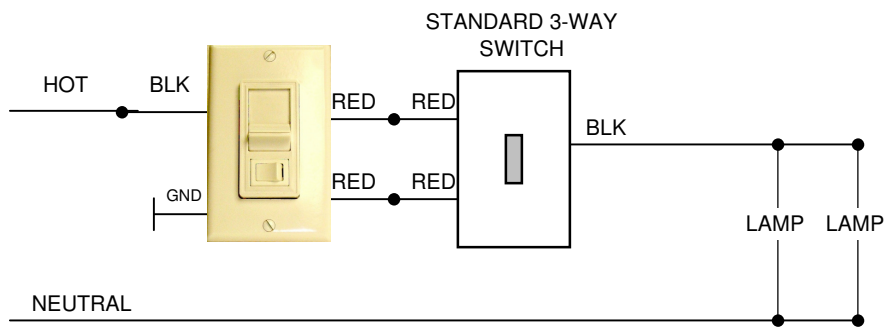
200 Rome Court
Fort Collins, CO 80524
U. S. A.
Ph: (970) 484-9048
Fax: (970) 493-4125
www.hunt Dimming.com

**Wiring Diagrams for
 HUNT *Simplicity*[®] Eclipsis Series Incandescent Controls
 120V and 277V
 Single Pole and Three Way**

**Standard Installation
Single Pole Wiring**



Three Way Wiring



Hunt Control Systems, Inc.
 200 Rome Court
 Fort Collins, CO 80524
 U. S. A.
 Ph: (970) 484-9048
 Fax: (970) 493-4125
www.hunt Dimming.com