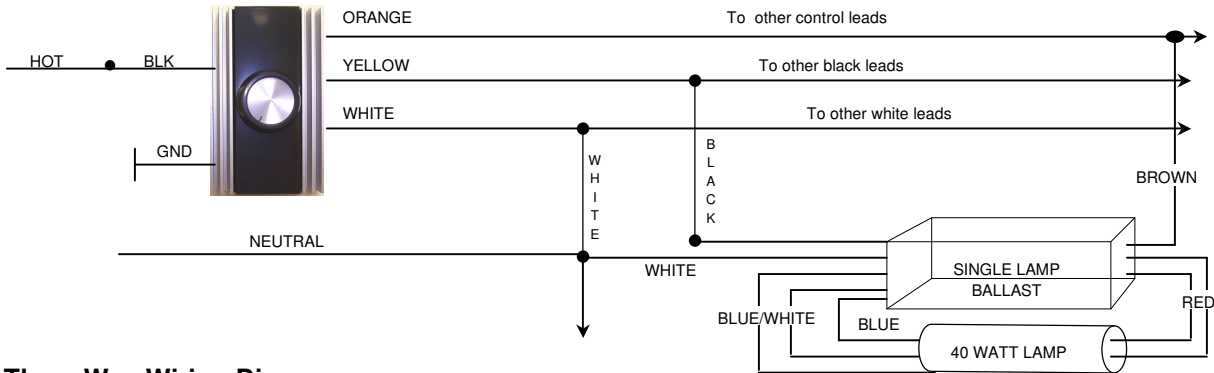
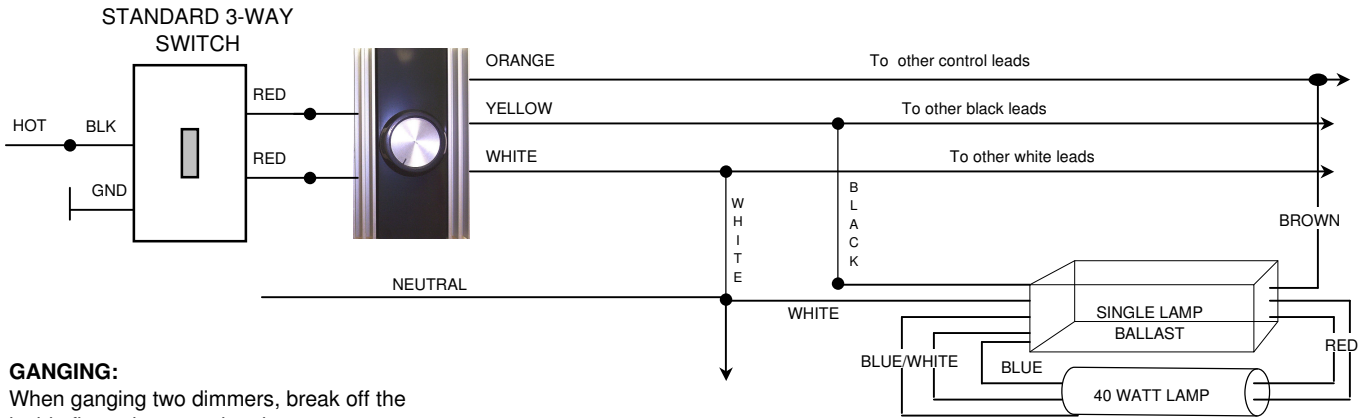


**Wiring Diagrams and Ganging Information  
for HUNT *Simplicity*<sup>®</sup>  
Architectural Electromagnetic Fluorescent Controls  
Single Pole and Three Way  
120V, 60Hz**

**Standard Installation  
Single Pole Wiring Diagram**



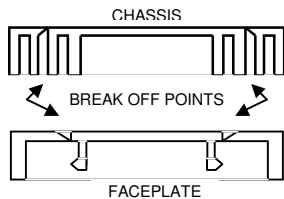
**Three Way Wiring Diagram**



**GANGING:**

When ganging two dimmers, break off the inside fins; when ganging three or more, break off the inside fins of the outer units, and both sides of the inner unit(s). Break off as shown.

**Derating of 10% per side is necessary when fins are removed.**



**Wallbox Requirements For Ganging**

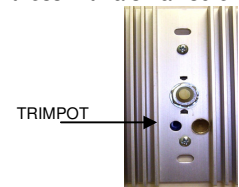
Number of single gang units	Number of double gang units				
	0	1	2	3	4
0	—	1	3	5	7
1	1	3	5	7	9
2	2	4	6	8	10
3	3	5	7	9	11
4	4	6	8	10	12

Minimum size wall box required (in gangs)

**LOW END BRIGHTNESS ADJUSTMENT**

THE LOW END BRIGHTNESS IS FACTORY ADJUSTED. IF NOT SATISFACTORY, IT MAY BE TRIMMED AS FOLLOWS:

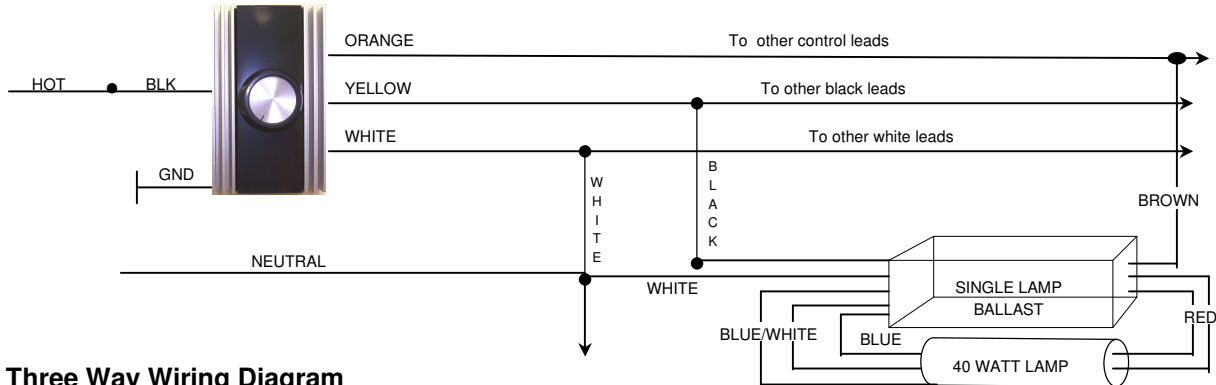
Rotate dimmer control knob to full counter-clockwise (with unit turned on). Adjust trim to desired brightness with a small screwdriver.



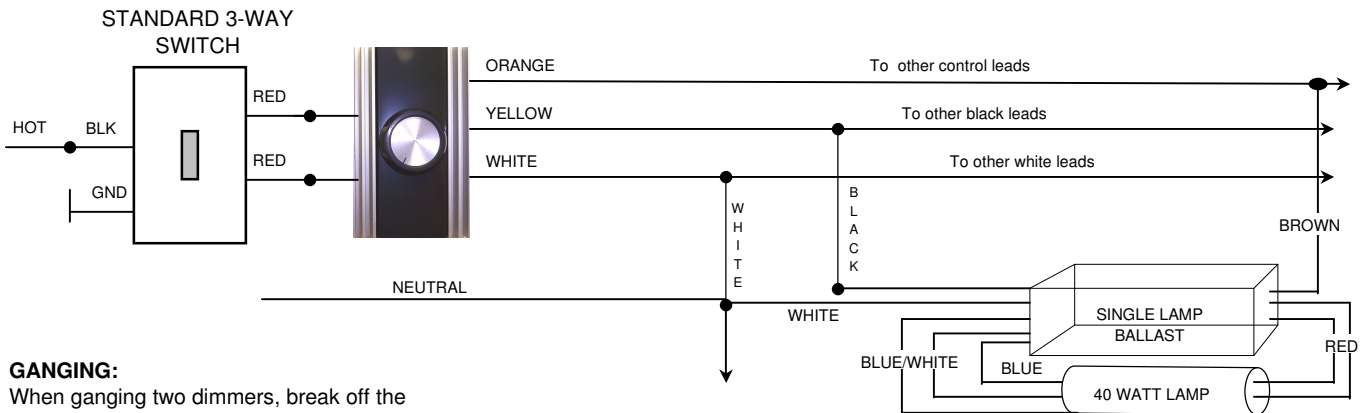
**Hunt Control Systems, Inc.**  
200 Rome Court  
Fort Collins, CO 80524  
Ph: (970) 484-9048  
[www.hunt Dimming.com](http://www.hunt Dimming.com)

**Wiring Diagrams and Ganging Information  
for HUNT *Simplicity*<sup>®</sup>  
Architectural Electromagnetic Fluorescent Controls  
Single Pole and Three Way  
277V, 60Hz**

**Standard Installation  
Single Pole Wiring Diagram**



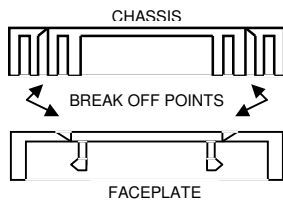
**Three Way Wiring Diagram**



**GANGING:**

When ganging two dimmers, break off the inside fins; when ganging three or more, break off the inside fins of the outer units, and both sides of the inner unit(s). Break off as shown.

**Derating of 10% per side is necessary when fins are removed.**



**Wallbox Requirements For Ganging**

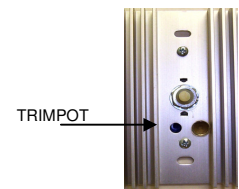
Number of single gang units	Number of double gang units				
	0	1	2	3	4
0	—	1	3	5	7
1	1	3	5	7	9
2	2	4	6	8	10
3	3	5	7	9	11
4	4	6	8	10	12

Minimum size wall box required (in gangs)

**LOW END BRIGHTNESS ADJUSTMENT**

THE LOW END BRIGHTNESS IS FACTORY ADJUSTED. IF NOT SATISFACTORY, IT MAY BE TRIMMED AS FOLLOWS:

Rotate dimmer control knob to full counter-clockwise (with unit turned on). Adjust trim to desired brightness with a small screwdriver.



**Hunt Control Systems, Inc.**

200 Rome Court  
Fort Collins, CO 80524  
Ph: (970) 484-9048  
[www.hunt Dimming.com](http://www.hunt Dimming.com)