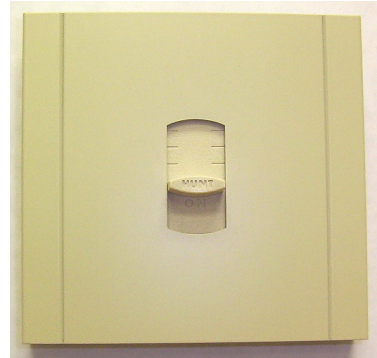


Simplicity[®]
Omega Series Controls
Architectural Full Range Slide Dimmers
 for use with Advance *Mark 10* or other Phase-Control ballasts
 120V and 277V



SC-10-Mark 10



SC-15-Mark 10

Product Description:

- Continuous, flicker-free dimming control from 100% to 5%.
- Operates 1, 2, and 3 lamp Advance *Mark 10* or other factory-approved Phase-Control electronic ballasts for various T8, CFL, and T5 lamps.
- Commercial-grade, Slide-to-OFF design.
- No exposed fins or hardware.
- Ivory and white standard colors; custom colors available.
- Limited one-year warranty.

Features:

- Easy-to-operate, smooth-sliding, linear control switch.
- RFI filter.
- UL Listed.
- Fits in a standard 2" deep single-gang back box.
- Maximum loads:
 SC-10-Mark 10: 1000 watts
 SC-15-Mark 10: 1500 watts

Note:

For all models, derating of 10% per side is necessary when fins are removed.

Dimensions:

SC-10-Mark 10 faceplate dimensions: 3"W x 4 1/2"H
 SC-15-Mark 10 faceplate dimensions: 4 3/4"W x 4 1/2"H
 Backbox dimensions on all models: 1 5/8" x 2 5/8" x 1 3/8"

Hunt Control Systems Inc.
 200 Rome Court
 Fort Collins CO 80524

Tel: (970) 484-9048
 Fax: (970) 493-4125
huntedimming.com

Dimming.

It's all we do.
 Since 1960.

**Installation and Wiring Instructions
for HUNT *Simplicity*[®]
Architectural Controls for Advance *Mark 10*
and other Phase-Control Ballasts
Single Pole and 3-Way
120V, 60Hz**

These dimmers are for designed for use with permanently installed Advance *Mark 10* or other compatible phase-control electronic fluorescent ballasts only.

Models:

Accent Series: AS-10-Mark 10, AS-10-3W-Mark 10, AS-15-Mark 10, AS-15-3W-Mark 10

Omega Series: SC-10-Mark 10, SC-15-Mark 10

Load:

1000 watts - AS-10-Mark 10, AS-10-3W-Mark 10, SC-10-Mark 10

1500 watts - AS-15-Mark 10, AS-15-3W-Mark 10, SC-15-Mark 10

Caution:

To reduce the risk of overheating and possible damage to other equipment, do not install to control a receptacle, a motor-operated appliance, or a transformer-supplied appliance.

Avertissement:

Pour réduire le risque de surchauffes et les dommages possibles à l'autre équipement, ne pas installer pour contrôler une prise, un appareil moteur-fonctionné, ou un transformateur d'alimentation magnétique appareil fourni.

Read Carefully Before Installing Dimmers:

1. To avoid fire, personal injury, and/or damage to dimmer, turn power *OFF* at circuit breaker and test that power is *OFF* before wiring.
2. To avoid overheating and possible damage to this dimmer and other equipment, use only with Advance *Mark 10* or other compatible phase-control 120V ballasts.

Caution:

1. Use this device with copper or copper clad wire only.
2. Observe maximum number of lamps per dimmer (see application chart).
3. For maximum tube life and dimming performance, **lamps should be burned in at fullbright for 100 hours** before dimming.

Application Information:

The Advance *Mark 10* ballast generates a *Modified Powerline Phase-Cut Control Signal* which is in turn controlled by a proprietary HUNT circuit. Although the light source being controlled is fluorescent, the control signal being sent from the ballast operates from a specialized incandescent circuit, tested and approved by Advance Transformer Co., to operate their ballast.

Note: When installing 3-way dimmers, use a standard 3-way switch. Never attempt to use two dimmers in the same circuit. When ganging dimmers together in series, derating of 10% per side is necessary; refer to tables on reverse.

Wiring Diagrams: See reverse side.

Hunt Control Systems, Inc.

200 Rome Court

Fort Collins, CO 80524

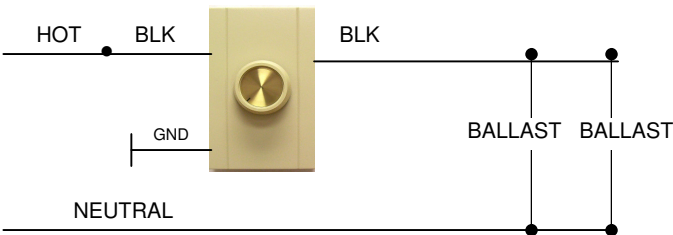
Ph: (970) 484-9048

Fax: (970) 493-4125

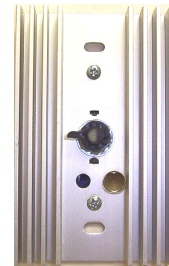
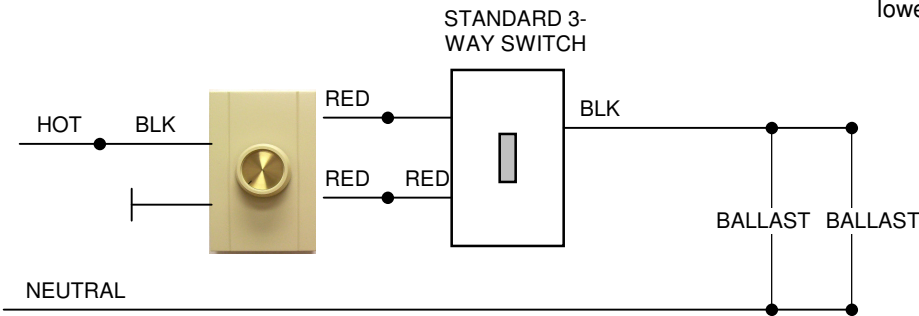
www.hunt Dimming.com

**Wiring Diagrams and Ganging Information
for HUNT *Simplicity*[®]
Architectural Dimmers for Advance *Mark 10*
and other Phase-Control Ballasts
Single Pole and Three Way
120V, 60Hz**

**Standard Installation
Single Pole Wiring Diagram**

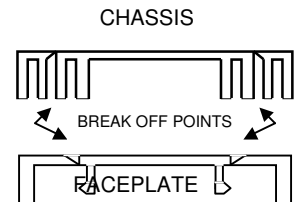


Three Way Wiring Diagram



Omega Series:

In the event that the slide knob is removed during installation, carefully place back onto slide gear. With the gear arm at the 9 o'clock position (as shown), snap slide in place on the lowest position on the chassis.



Ganged Unit Wall Box Requirements

	Number of double gang units					
	0	1	2	3	4	
0	-	1	3	5	7	
1	1	3	5	7	9	
2	2	4	6	8	10	
3	3	5	7	9	11	
4	4	6	8	10	12	
Min. size wall box required (in gangs)						

Ganging:

All A-Line, Accent, & Omega Series dimmers may be ganged in any combination. Refer to tables for wall box requirements and derating. When ganging two dimmers, break off inside fins of each dimmer. When ganging three or more dimmers, break off both sides of interior dimmers, but only inside fins of end dimmers. Break off aluminum fins and faceplate as shown.

Derating when Ganging

Dimmer Type	Fins Removed		
	None	One Side	Both Sides
AS-10-Mark 10, AS-10-3W-Mark 10, SC-10-Mark 10	1000 watts	900 watts	800 watts
AS-15-Mark 10, AS-15-3W-Mark 10, SC-15-Mark 10	1500 watts	1350 watts	1200 watts

Hunt Control Systems, Inc.

200 Rome Court
Fort Collins, CO 80524
Ph: (970) 484-9048
Fax: (970) 493-4125
www.hunt dimming.com

**Installation and Wiring Instructions
for HUNT *Simplicity*[®]
Architectural Controls for Advance *Mark 10*
and other Phase-Control Ballasts
Single Pole and 3-Way
277V, 60Hz**

These dimmers are designed for use with permanently installed Advance *Mark 10* or other compatible phase-control electronic fluorescent ballasts only.

Models:

Accent Series: AS-10-Mark 10, AS-10-3W-Mark 10, AS-15-Mark 10, AS-15-3W-Mark 10

Omega Series: SC-10-Mark 10, SC-15-Mark 10

Load:

1000 watts - AS-10-Mark 10, AS-10-3W-Mark 10, SC-10-Mark 10

1500 watts - AS-15-Mark 10, AS-15-3W-Mark 10, SC-15-Mark 10

Caution:

To reduce the risk of overheating and possible damage to other equipment, do not install to control a receptacle, a motor-operated appliance, or a transformer-supplied appliance.

Avertissement:

Pour réduire le risque de surchauffes et les dommages possibles à l'autre équipement, ne pas installer pour contrôler une prise, un appareil moteur-fonctionné, ou un transformateur d'alimentation magnétique appareil fourni.

Read Carefully Before Installing Dimmers:

1. To avoid fire, personal injury, and/or damage to dimmer, turn power *OFF* at circuit breaker and test that power is *OFF* before wiring.
2. To avoid overheating and possible damage to this dimmer and other equipment; use only with Advance *Mark 10* or other compatible phase-control 277V ballasts.

Caution:

1. Use this device with copper or copper clad wire only.
2. Observe maximum number of lamps per dimmer (see application chart below).
3. For maximum tube life and dimming performance, **lamps should be burned in at fullbright for 100 hours** before dimming.

Application Information:

The Advance *Mark 10* ballast generates a *Modified Powerline Phase-Cut Control Signal* which is, in turn, controlled by a proprietary HUNT circuit. Although the light source being controlled is fluorescent, the control signal being sent from the ballast operates from a specialized incandescent circuit, tested and approved by Advance Transformer Co., to operate their ballast.

Note: When installing 3-way dimmers, use a standard 3-way switch. Never attempt to use two dimmers in the same circuit. When ganging dimmers together in series, derating of 10% per side is necessary; refer to tables on reverse.

Wiring Diagrams: See reverse side.

Hunt Control Systems, Inc.

200 Rome Court

Fort Collins, CO 80524

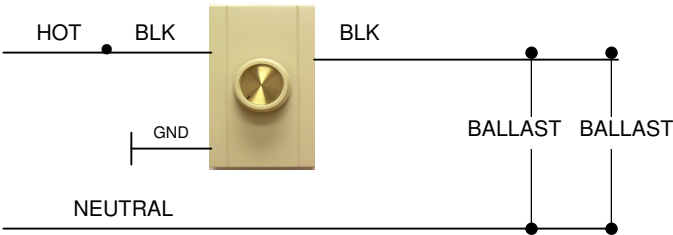
Ph: (970) 484-9048

Fax: (970) 493-4125

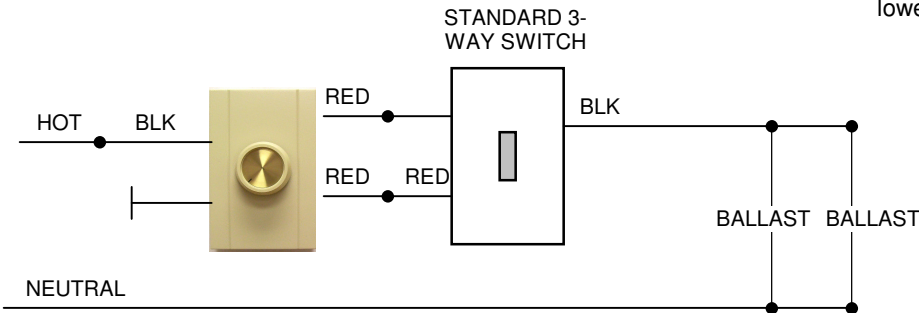
www.hunt dimming.com

**Wiring Diagrams and Ganging Information
for HUNT *Simplicity*[®]
Architectural Controls for Advance *Mark 10*
and other Phase-Control Ballasts
Single Pole and Three Way
277V, 60Hz**

**Standard Installation
Single Pole Wiring Diagram**

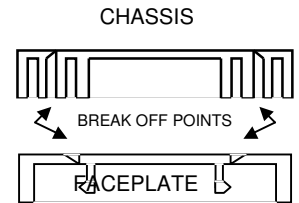


Three Way Wiring Diagram



Omega Series:

In the event that the slide knob is removed during installation, carefully place back onto slide gear. With the gear arm at the 9 o'clock position (as shown), snap slide in place on the lowest position on the chassis.



Ganged Unit Wall Box Requirements

	Number of double gang units					
	0	1	2	3	4	
0	-	1	3	5	7	
1	1	3	5	7	9	
2	2	4	6	8	10	
3	3	5	7	9	11	
4	4	6	8	10	12	
Min. size wall box required (in gangs)						

Ganging:

All A-Line, Accent, & Omega Series dimmers may be ganged in any combination. Refer to tables for wall box requirements and derating. When ganging two dimmers, break off inside fins of each dimmer. When ganging three or more dimmers, break off both sides of interior dimmers, but only inside fins of end dimmers. Break off aluminum fins and faceplate as shown.

Derating when Ganging

Dimmer Type	Fins Removed		
	None	One Side	Both Sides
AS-10-Mark 10, AS-10-3W-Mark 10, SC-10-Mark 10	1000 watts	900 watts	800 watts
AS-15-Mark 10, AS-15-3W-Mark 10, SC-15-Mark 10	1500 watts	1350 watts	1200 watts

Hunt Control Systems, Inc.

200 Rome Court
Fort Collins, CO 80524
Ph: (970) 484-9048
Fax: (970) 493-4125
www.hunt Dimming.com